

Product Type: **Kit Shut Off**
 Product Code: **E136009**
 Product Name: **Atthis Shut Off kit with Wc Mixer**

Description: *kit composto da Wc Mixer, Shut off e flessibile*
Kit composed by WC Mixer, Shut off and flex hose





Dimensions: -
 Material: **Ottone - ABS | brass - ABS**

Notes: *apertura/chiusura e miscelazione caldo/freddo con cartuccia progressiva*
opening/closing and hot/cold water mixing with progressive cartridge
kit components: shut off E082110 - flex C084061 - Wc Mixer E183002



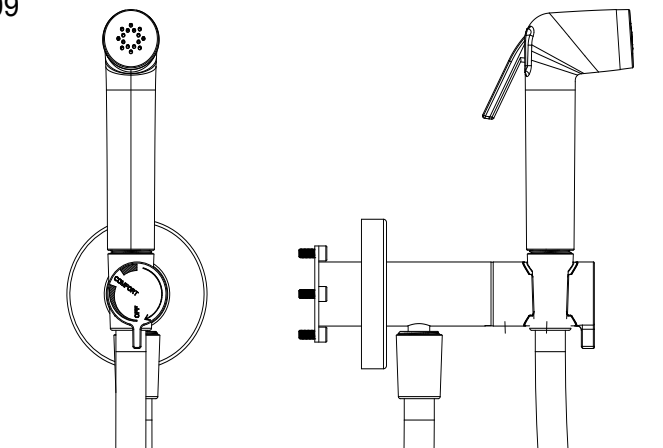
Functions: 
 1 Way

Finishes:

		Matt Colours		PVD Polished		PVD Brushed			
CR	BN								
		MB	WM	GO	DB	HB	CO	GM	AB

DIMENSIONS

e136009



versione senza modulo incasso - il modulo incasso è da acquistare separatamente (codice E134004)
 version without concealed module - the concealed module is to be purchased separately (code E134004)

PRODUCT CARE

To avoid damages to the purchased equipment, please observe the following recommendations for use:

- Clean the plumbing before connecting the device.
- Periodically clean the water blade to avoid any limestone deposits that could compromise the good functioning.

Advice: The installation of a filter and water-softener system improves and extends the life of the devices and of the plant itself.

CLEANING OF METAL PARTS:

For an easy cleaning of the metal parts of the product, simply use a soft cloth moistened in water and soap or an anti-limestone detergent.

To avoid spots caused by calcium in water, we advise drying with a cloth after each use.

Advice: Please use only natural soap-based detergents avoiding those with alcohol, hydrochloric acid or phosphoric acid, bleach, chlorine etc. and those containing abrasive powders.

PACKING



1 pc
