

Product Type: **Modular Push**
 Product Code: **E176910**
 Product Name: **Incasso termostatico push 2 vie con doccia**
2-way thermostat push with hand shower concealed module

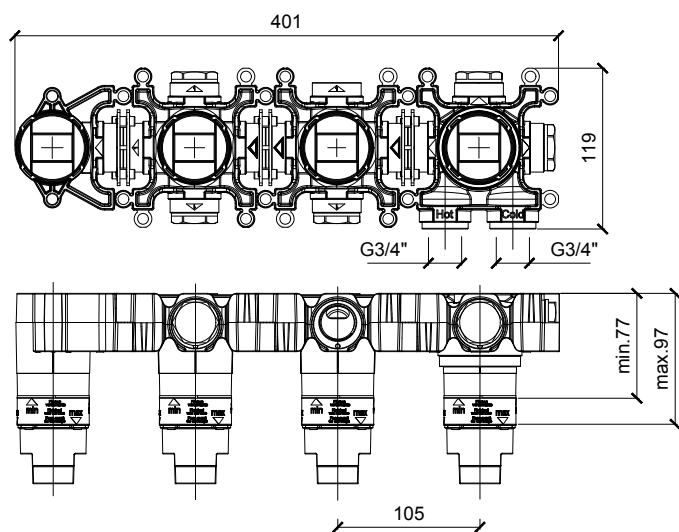
Description: incasso termostatico push 2 vie con doccia
2-way thermostat push concealed module with hand shower

Notes: da abbinare con **E180483, E180433 e E180433 316**
*to go with **E180483, E180433 and E180433 316***



Functions: 
 2 Way

DIMENSIONS



FLOWRATE

E176910		
PRESSURE	FLOW RATE L/min	
BAR	EXIT 1	EXIT 2
0.5	8	7.5
1	12.2	11.7
2	17.6	17.2
3	21.7	21.2
4	25	24.5
5	28	27.3