

Product Type: **Shower Accessories**
 Product Code: **E310001**
 Product Name: **Bathrobe Holder**

Description: porta accappatoio
 bathrobe holder

Dimensions: L22 x 100 mm

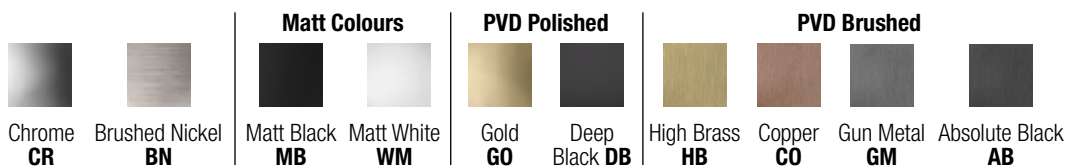
Material: Ottone | Brass

Notes: Disponibile anche in Acciaio 316 | also available in 316 Stainless Steel

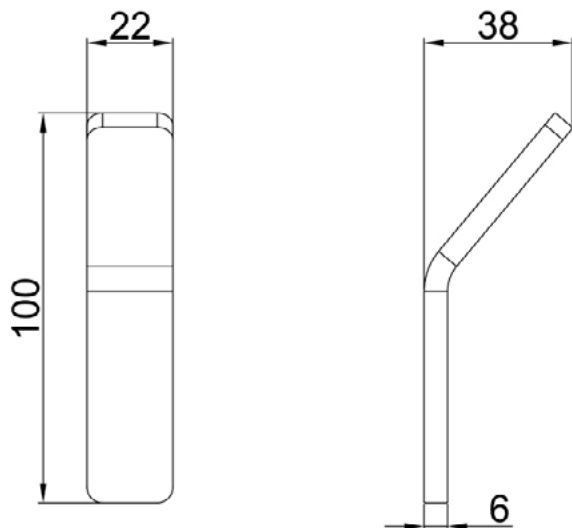
Functions:



Finishes:



DIMENSIONS



PRODUCT CARE

To avoid damages to the purchased equipment, please observe the following recommendations for use:

- Clean the plumbing before connecting the device.
- Periodically clean the water blade to avoid any limestone deposits that could compromise the good functioning.

Advice: The installation of a filter and water-softener system improves and extends the life of the devices and of the plant itself.

CLEANING OF METAL PARTS:

For an easy cleaning of the metal parts of the product, simply use a soft cloth moistened in water and soap or an anti-limestone detergent.

To avoid spots caused by calcium in water, we advise drying with a cloth after each use.

Advice: Please use only natural soap-based detergents avoiding those with alcohol, hydrochloric acid or phosphoric acid, bleach, chlorine etc. and those containing abrasive powders.

PACKING



1 pc
